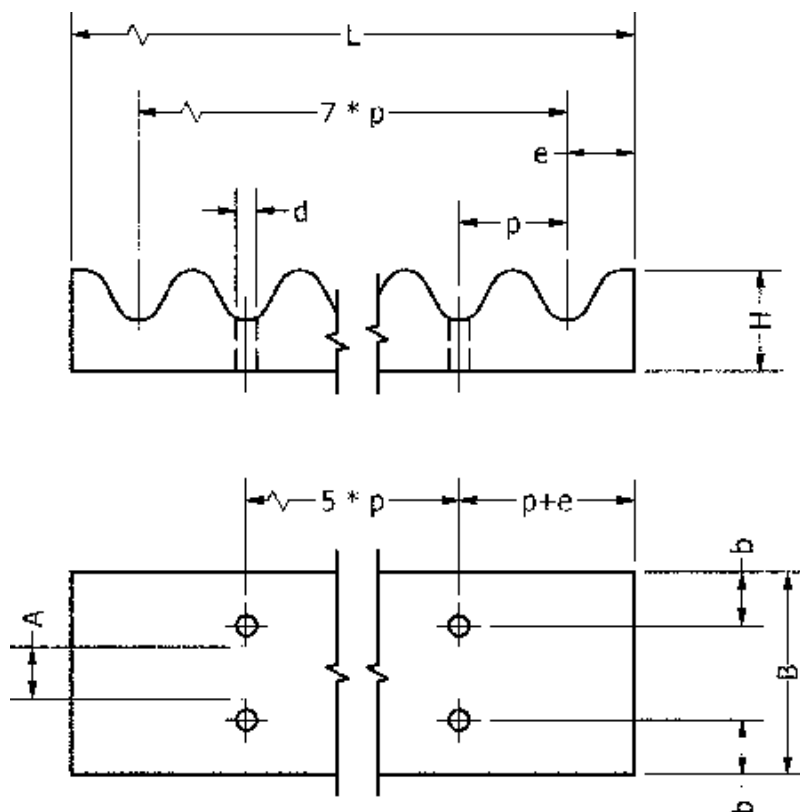


Article number: 6041651301000

Description: Clamping plate for belts HTD 5M 1000

Measures



= -	b = -
= -	B = 1000
= -	d = -
= -	e = 3.2
= -	H = 8
= -	L = 41.8
= -	
A = -	